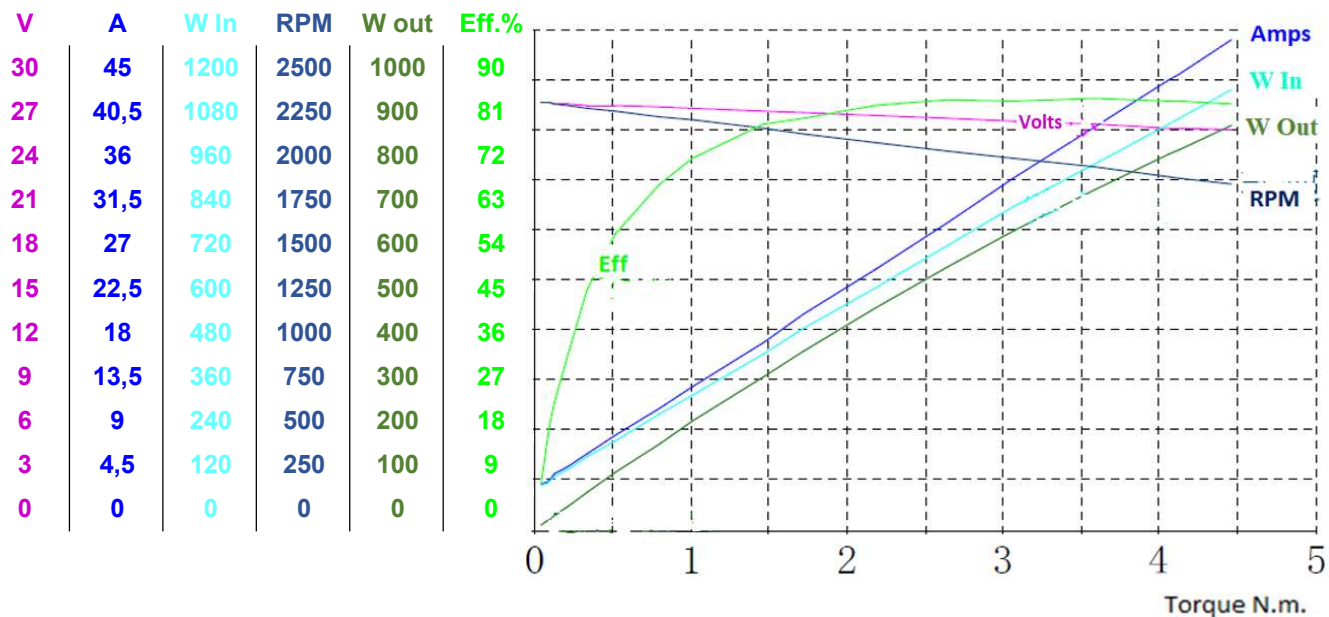


Model: MM1024FC

Description: MaxMotion 1HP, 1750RPM, 24VDC, TEFC, 56C

Tester: 01

Test Date: 2018.04.24



Measured Points	V	A	Input Watts	N.m.	RPM	Output Watts	%
No Load	25,57	4,206	107,5	0,04	2136	8,946	8,3%
Rated	24,09	40,40	972,9	4,06	1764	750	77,1%
Efficiency Max.	24,28	36,17	878,3	3,59	1810	680,3	11,5%
Max. Kw Output	23,94	44,10	1056	4,46	1729	808,1	76,5%
Max. Torq. Output	23,94	44,10	1056	4,46	1729	808,1	76,5%
End	23,94	44,10	1056	4,46	1729	808,1	76,5%

Load	Measure	V	A	Input Watts	N.m.	RPM	Output Watts	Eff %
1,2%	1	25,57	4,206	107,5	0,04	2136	8,95	8,3%
2,3%	2	25,57	4,327	110,6	0,08	2135	17,44	15,8%
3,0%	3	25,56	4,572	116,9	0,1	2132	22,32	19,1%
3,9%	4	25,54	5,01	128,0	0,13	2126	29,38	23,0%
6,1%	5	25,51	5,73	146,2	0,21	2119	45,70	31,3%
10,1%	6	25,47	6,848	174,4	0,34	2106	75,41	43,2%
15,3%	7	25,4	8,474	215,2	0,52	2089	114,6	53,3%
23,1%	8	25,3	10,99	278,0	0,8	2063	173,2	62,3%
28,9%	9	25,23	12,86	324,4	1,01	2045	217,1	66,9%
41,0%	10	25,08	16,83	422,9	1,47	2004	307,6	72,9%
47,7%	11	24,98	19,36	483,7	1,73	1979	358,0	74,0%
58,9%	12	24,81	23,36	579,5	2,18	1937	442,1	76,3%
70,1%	13	24,65	27,64	681,4	2,65	1893	526,0	77,2%
79,7%	14	24,48	31,64	774,8	3,07	1858	597,6	77,1%
90,7%	15	24,28	36,17	878,3	3,59	1810	680,3	77,5%
100,0%	16	24,09	40,4	972,9	4,06	1764	750,0	77,1%
101,3%	17	24,06	40,99	986,2	4,13	1758	759,8	77,0%
107,7%	18	23,94	44,1	1056	4,46	1729	808,1	76,5%

LOW VOLTAGE DC PERMANENT MAGNET MOTOR

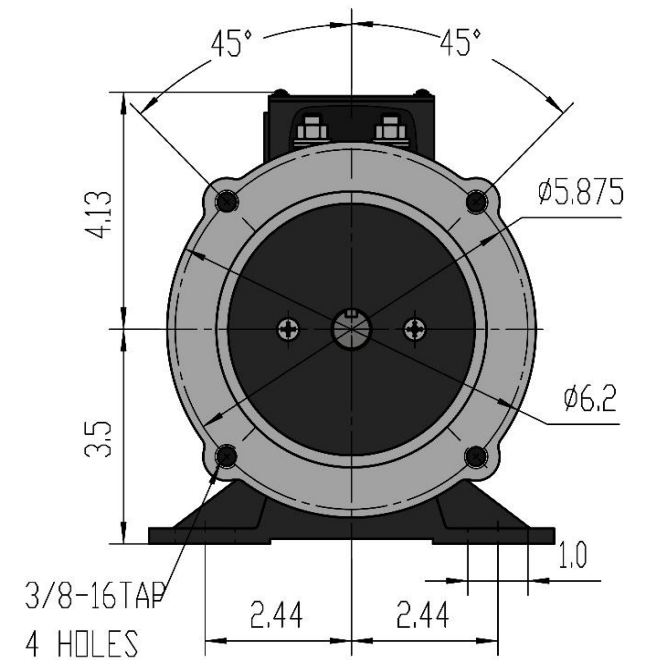
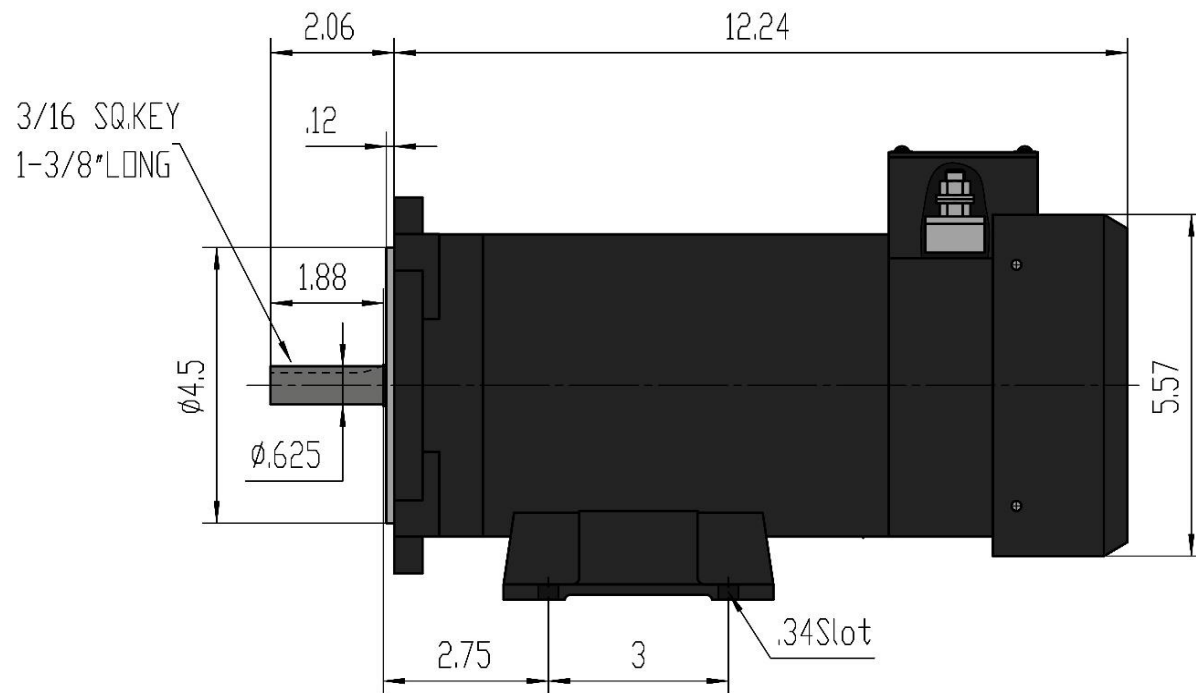
HEAVY GAUGE ROLLED STEEL CONSTRUCTION | TENV TOTALLY NON-VENTILATED & TEFC TOTALLY ENCLOSED FAN COOLED SCR RATED, 12, 24, 48VDC



HP	FL RPM	VOLTS	FRAME	CAT NO.	CONSTRUCTION	ENCLOSURE	NOM EFF.	F.L. AMPS	DE BEARING	NDE BEARING	WT (Lbs)	"C" Dimension (Inch)
0,25	1680	12	56C	MM2512NV	ROLLED STEEL	TENV	62,40%	30,9	6203	6203	21	10,01
	1680	12	56C	MM2512FC	ROLLED STEEL	TEFC	62,40%	30,9	6203	6203	21	11,6
	1758	24	56C	MM2524FC	ROLLED STEEL	TEFC	62,80%	15,46	6203	6203	21	11,6
	1815	48	56C	MM2548FC	ROLLED STEEL	TEFC	67,50%	7,73	6203	6203	21	11,6
1/3	1789	12	56C	MM3312NV	ROLLED STEEL	TENV	71,30%	38,3	6203	6203	23	10,01
	1789	12	56C	MM3312FC	ROLLED STEEL	TEFC	71,30%	38,3	6203	6203	23	11,6
	1527	24	56C	MM3324NV	ROLLED STEEL	TENV	64,80%	19,1	6203	6203	23	10,01
	1527	24	56C	MM3324FC	ROLLED STEEL	TEFC	64,80%	19,1	6203	6203	23	11,6
	1753	48	56C	MM3348FC	ROLLED STEEL	TEFC	71,40%	9,56	6203	6203	23	11,6
0,5	1714	12	56C	MM5012NV	ROLLED STEEL	TENV	70,90%	47,16	6203	6203	25	10,95
	1714	12	56C	MM5012FC	ROLLED STEEL	TEFC	70,90%	47,12	6203	6203	25	12,49
	1646	24	56C	MM5024FC	ROLLED STEEL	TEFC	77,90%	23,56	6203	6203	25	12,49
	1678	24	56C	MM5048NV	ROLLED STEEL	TENV	78,50%	11,78	6203	6203	25	10,95
	1678	48	56C	MM5048FC	ROLLED STEEL	TEFC	78,50%	11,78	6203	6203	25	12,49
0,75	1573	12	56C	MM7512FC	ROLLED STEEL	TEFC	73,80%	73,6	6203	6203	30	13,55
	1775	24	56C	MM7524FC	ROLLED STEEL	TEFC	75,20%	31,8	6203	6203	30	13,55
1	1672	12	56C	MM1012FC	ROLLED STEEL	TEFC	74,30%	95,4	6203	6203	32	14,3
	1764	24	56C	MM1024FC	ROLLED STEEL	TEFC	77,10%	47,7	6203	6203	32	14,3



MaxMotion



Customer is responsible in determining that MaxMotion product will fit/performance suitably in the intended application

Version: 1NIN

Revised: April 2020

HP	RPM	Voltage	Amps	Const.	Frame	Insul.	Torque	P. Code	Wgt lbs	Rated
1	1750	24Vdc	47,7	TEFC	56C	Class H	36 in/lbs	K (SCR)	32	IP45

MM1024FC

LOW VOLTAGE DC PERMANENT MAGNET MOTOR

HEAVY GAUGE ROLLED STEEL CONSTRUCTION | TENV TOTALLY NON-VENTILATED & TEFC TOTALLY ENCLOSED FAN COOLED SCR RATED, 12, 24, 48VDC

MaxMotion

Applications:

Low voltage permanent magnet DC motors are suitable for installations having batteries or generator supplied low voltage DC.



Features:

Design - Low voltage

Construction - Rolled Steel, NEMA C-Face Footed with Removable Base

Agency listings and standard - NEMA, UL Recognized and CSA Certified, RoHS Compliant

Service Factor - 1.0

IP Rating - IP45

Insulation - Class F Insulation

Speed Range - 20:1 Constant Torque, Linear Speed/Torque Characteristics over entire speed range

Voltage - 12V, 24V & 48V

Bearings - Permanently Lubricated High quality Double Shielded Ball Bearings

Enclosure Protection - (TEFC) Totally Enclosed Fan Cooled & (TENV) Totally Enclosed Non-Ventilated

Duty - Continuous

Warranty - 18 Months